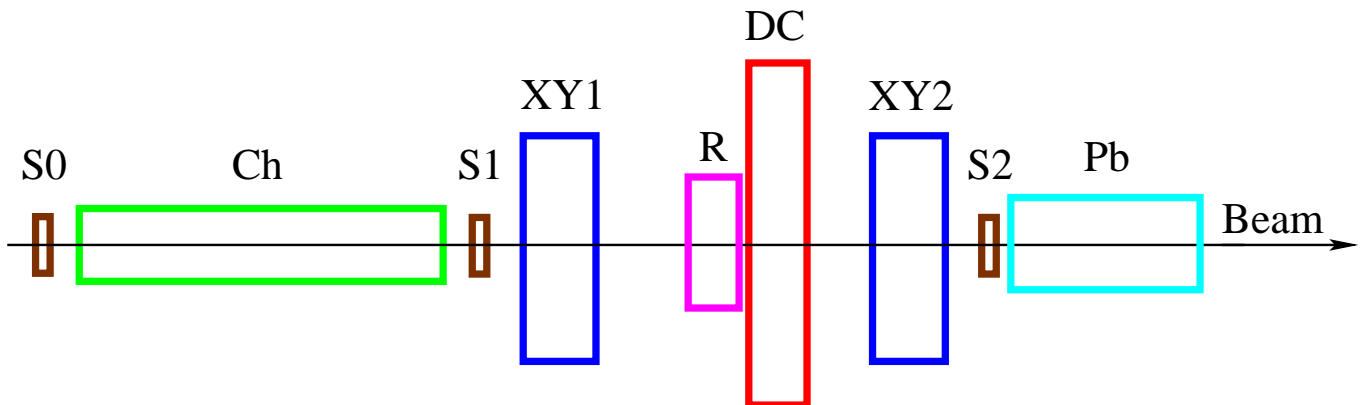


TRD – Prototype tests setup



- **R, DC** - radiator, drift chamber ($0.5 \times 0.6 \text{ m}^2$)
- **S0, S1, S2** – scintillator counters
- **Ch** - threshold Cherenkov detector
- **XY1, XY2** – position-sensitive detectors (MWPC, Si-strip)
- **Pb** – Pb-glass calorimeter

Beam: π/e , $p=0.6\text{-}2.0 \text{ GeV}/c$ ($e/\pi \simeq 3\%$, $p=1 \text{ GeV}/c$)

